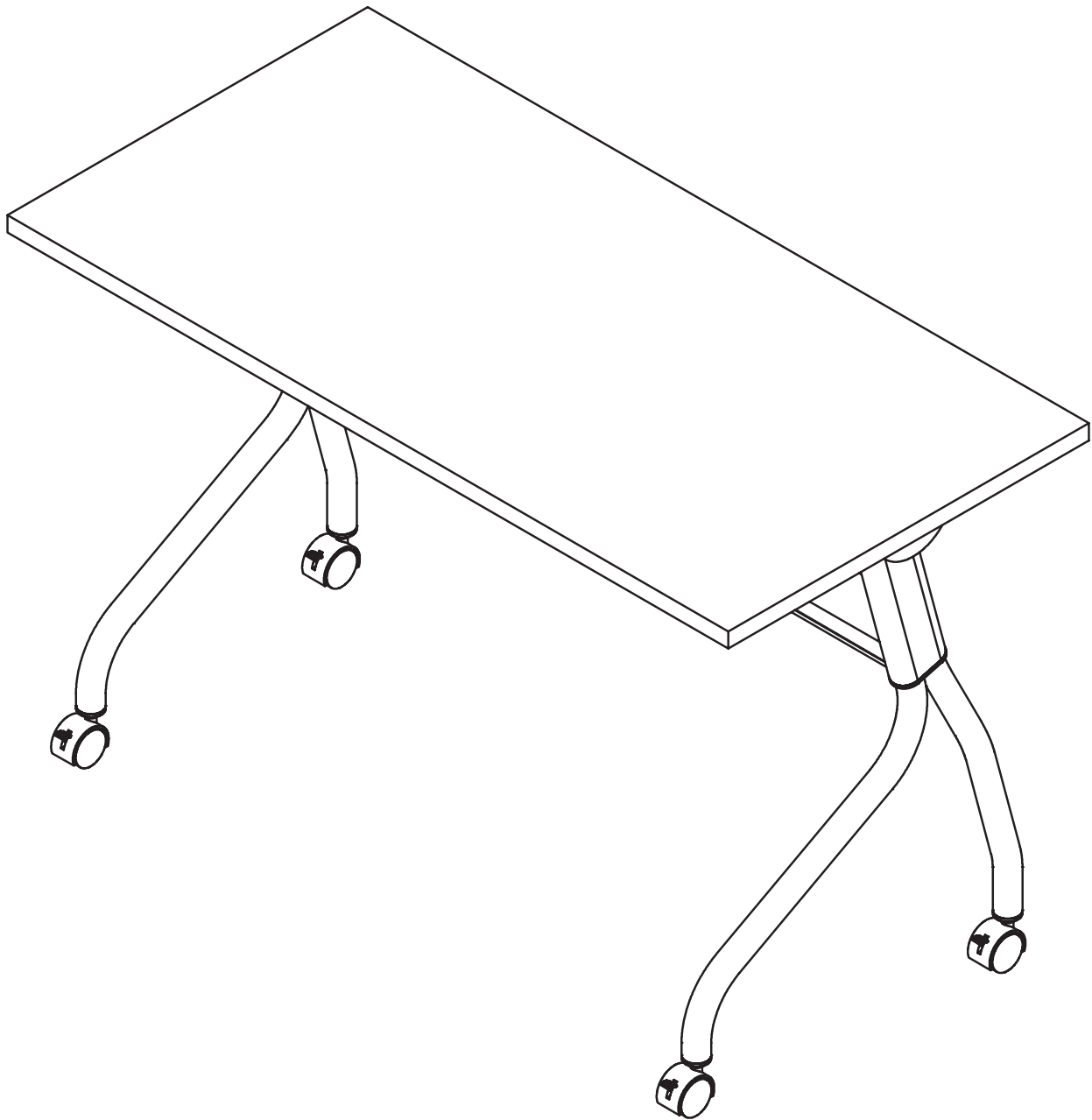
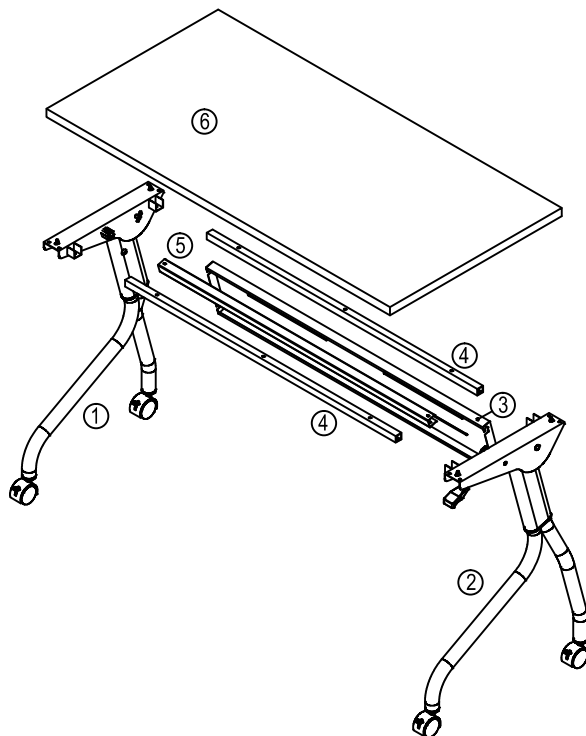






**OTGFTBASE48 / OTGFTBASE60 / OTGFTBASE71**



### EXPLODED VIEW

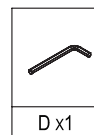
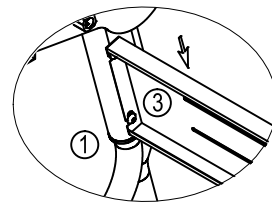
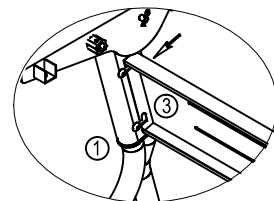
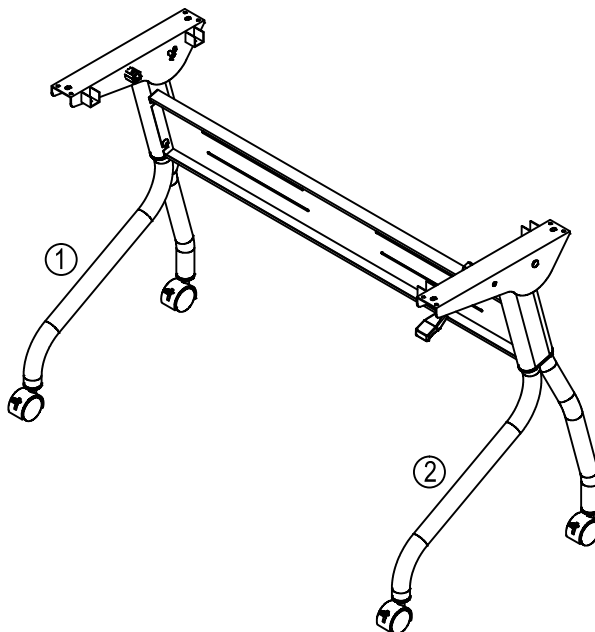


### HARDWARE LIST

			
Ax 8+2 (M6x8)	Bx 4+2 (ST4.8x20)	C X1 (4mm)	D X1 (5mm)

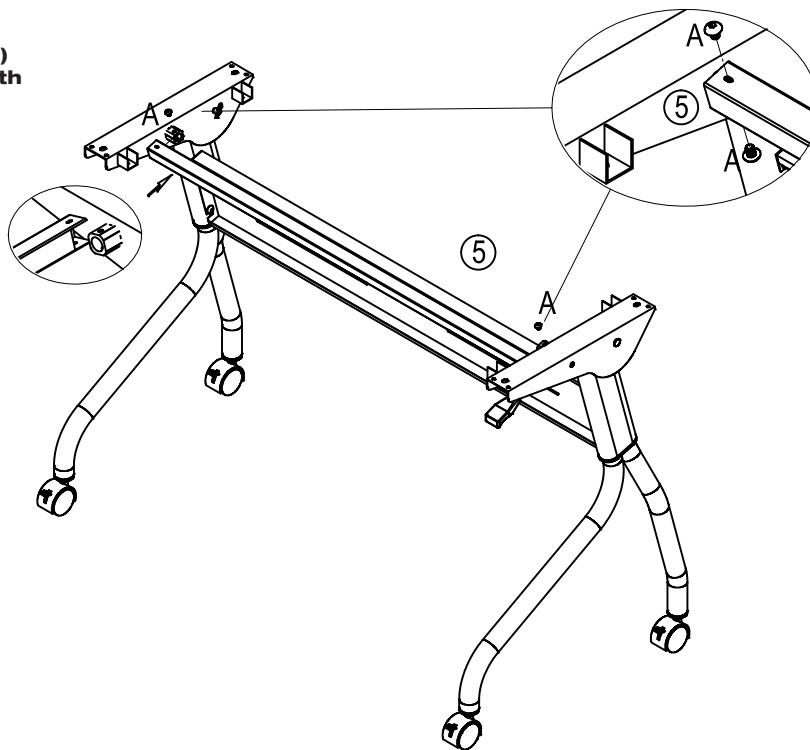
### STEP 1 - Attach Modesty Panel



- Attach modesty panel (Item 3).
- Once modesty panel is in place, tighten all screws.



### STEP 2 - Attach Center Support Beam

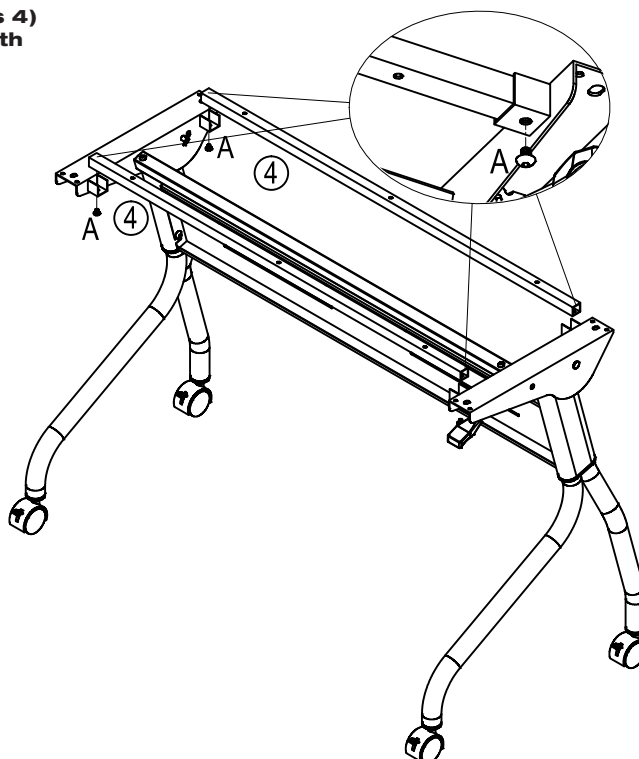
- Insert center support beam (Item 5) into center slots on leg and affix with screws (Item A).
- Do not tighten these screws until after Step 3.





	
A x4	C x1

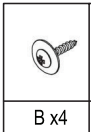
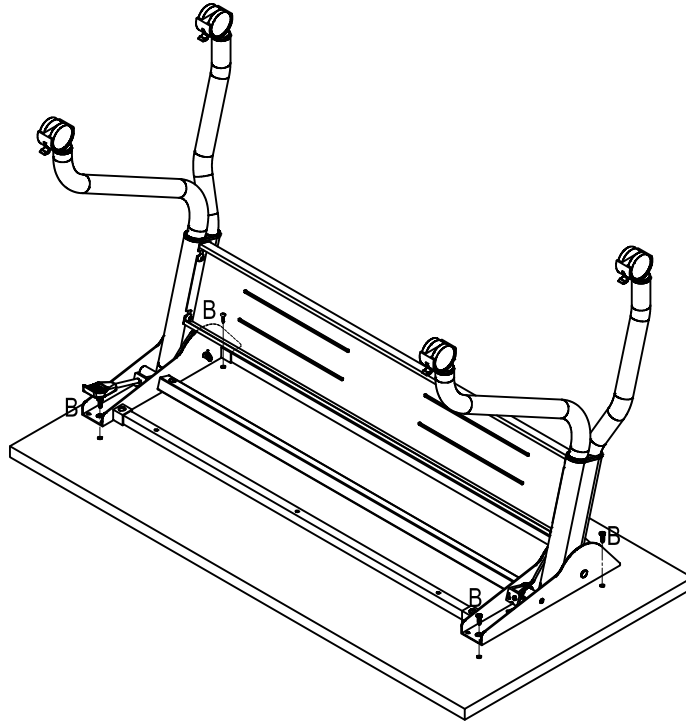
### STEP 3 - Attach Outer Support Beams

- Insert outer support beams (Items 4) into outer slots on leg and affix with screws (Item A).
- Tighten all screws securely.

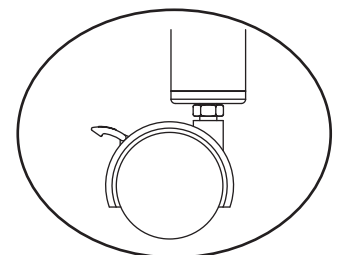
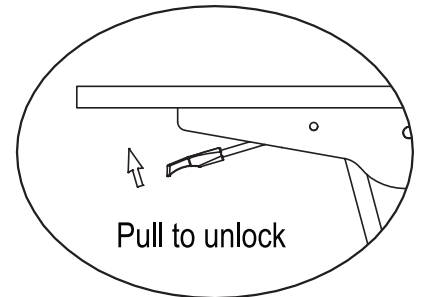
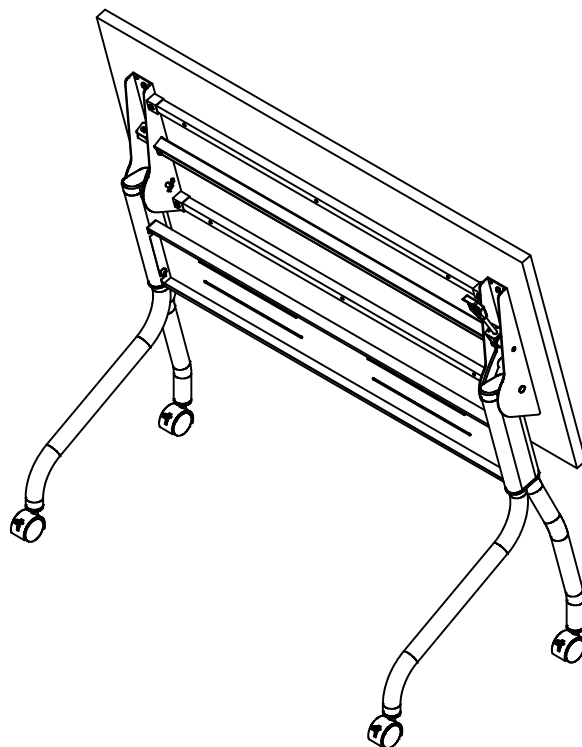


	
A x4	C x1

### STEP 4 - Attach Table Base to Top



### STEP 5 - Operating the Table



Down position locked  
Up position unlock