

CINEMA CONTOUR®

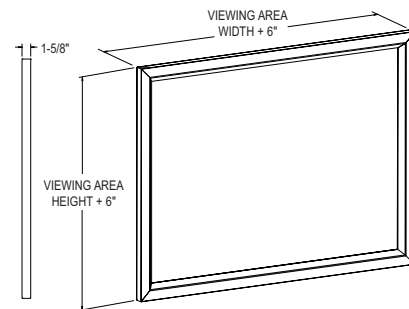
Wall-Mounted Projection Screen

When ordering, make appropriate selections:

- 1 Select size from charts at the lower right.
- 2 Select viewing surface:
 - Da-Mat™
 - High Contrast Da-Mat™
 - Cinema Vision
 - High Contrast Cinema Vision
 - Pearlescent
 - High Power
 - Da-TeX™ (Rear)
 - Dual Vision
 - Audio Vision
 - High Contrast Audio Vision
 - High Contrast Cinema Perf
- 3 Options:
 - Pro-Trim is a fabric covering that aesthetically enhances the appearance of the installation. Pro-Trim provides a stylish masked border while absorbing the light that surrounds the viewing area.
 - Velcro® attachment.



- Permanent wall-mounted screen.
- Available in front and rear projection.
- 3" wide x 1-5/8" deep aluminum tube frame with tapered front edge.

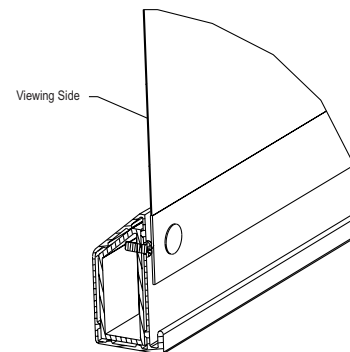


SUGGESTED SPECIFICATIONS:

_____ projection screens, _____ (H) x _____ (W), wall mounted type. To have flexible screen surface of Da-Mat, High Contrast Da-Mat, Cinema Vision, High Contrast Cinema Vision, High Contrast Cinema Perf, High Contrast Audio Vision, Pearlescent, High Power, Da-TeX, Dual Vision or Audio Vision. All screen surfaces are fire and mildew resistant. Screen surface standard with reinforced black webbing on all four sides and will attach to frame with metal snaps. Frame will conceal snaps and webbing. Screen frame will be 3" wide x 1-5/8" deep with a tapered front edge to reduce shadows on the viewing surface. Frame to be made of aluminum and finished with textured black powder coat or Pro-Trim. Frame will be slip-jointed at corners. Standard wall-mounting brackets will be included.

All Da-Mat, High Contrast Da-Mat, Cinema Vision, High Contrast Cinema Vision, Pearlescent, Da-TeX, and Dual Vision surfaces are seamless up to 12' high. Audio Vision, High Contrast Cinema Perf and High Contrast Audio Vision surfaces are available in sizes up to 8' high. High Power surface is available in sizes up to 6' high. **All viewing surfaces are standard with black backing except Da-TeX and Dual Vision.**

Detailed dimensional drawings and installation instructions available upon request. Specifications subject to change without notice.



VIDEO FORMATS

Viewing Area H x W	Nominal Diagonal Size	Overall Dimensions H x W	Approx. Shipping Wt. Lbs.
36" x 48"	60"	42" x 54"	24
43" x 57-1/2"	72"	49" x 63-1/2"	28
50-1/2" x 67"	84"	56-1/2" x 73"	31
57-1/2" x 77"	96"	63-1/2" x 83"	35
60" x 80"	100"	66" x 86"	37
72" x 96"	120"	78" x 102"	45
90" x 120"	150"	96" x 126"	56
108" x 144"	180"	114" x 150"	63
120" x 160"	200"	126" x 166"	89
144" x 192"	240"	150" x 198"	105

HDTV FORMATS

Viewing Area H x W	Nominal Diagonal Size	Overall Dimensions H x W	Approx. Shipping Wt. Lbs.
37-1/2" x 67"	77"	43-1/2" x 73"	30
40-1/2" x 72"	82"	46-1/2" x 78"	32
45" x 80"	92"	51" x 86"	33
49" x 87"	100"	55" x 93"	36
52" x 92"	106"	58" x 98"	38
54" x 96"	110"	60" x 102"	40
58" x 104"	119"	64" x 110"	43
65" x 116"	133"	71" x 122"	49
78" x 139"	159"	84" x 145"	56
94-1/2" x 168"	193"	100-1/2" x 174"	88
108" x 192"	220"	114" x 198"	102

Overall frame dimensions ± 1/4".

Note: Letterbox format and custom sizes available upon request.