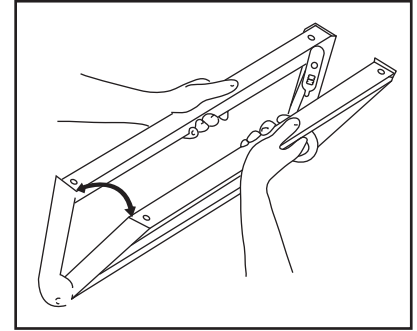


DIRECTIONS FOR USING THE A500/501, A502/503 PAPER DISPENSER

1. Grasp both bottom crossbars and pull apart until the unit locks open. (Figure A)
2. To install a roll of material, first position the dispenser in the desired place - on a counter using the supplied rubber bumpers, or mounted to a wall or under a counter (hardware not included).
3. Next place one hand on the dowel while pulling open the spring-loaded blade until it locks. (Figure B)
USE CAUTION WHEN OPENING/CLOSING SERRATED UNITS TO AVOID INJURY
4. Remove the dowel and slide it through the material's core plugs.
5. Carefully install the roll of material by placing the exposed ends of the dowel into the dowel sockets. Lastly, a simple push on the blade will rest it securely against the material. It is now ready to dispense.

A.



B.

