

ViewShare™ Tensioned Advantage® Electrol®



Automatic Electric Projection Screen Model with Built-In Videoconferencing

SPECIFICATION DATA

SUGGESTED SPECIFICATIONS: _____ projection screen(s), _____(H) x _____(W), electrically operated 120 volt (60 Hz) not more than 2.4 amp. with a quick connect male plug-in connector on the motor. Shall have specially designed motor mounted inside the roller, to be three wire with ground, quick reversal type, oiled for life, with automatic thermal overload cutout, integral gears, capacitor and an electric brake to prevent coasting. To have preset but adjustable limit switches to automatically stop picture surface in the "up" and "down" positions. Junction box shall be externally integrated into the housing making it possible to install the housing and wire to the building's electrical system during construction. The junction box shall contain a quick connect interface that is mounted in the housing for easy plug-in connection to the motorized fabric and roller assembly. The motorized fabric and roller assembly to be installed in the case at the factory. The fabric roller to be of rigid aluminum. Screen to be designed for left or right-hand motor installation. Screen fabric to be seamless, flame retardant and mildew resistant vinyl with black masking borders standard. Each side of the fabric to have tab guide cable system to maintain even lateral tension and hold surface flat. Custom aluminum slat bar with integrated 1080P camera adds weight and

maintains vertical tension on the screen surface. The cable guide system attached to the slat and screen case ensures routing and management for camera USB cable. Provided USB to CAT5 powered extender allows the use of up to 200ft of CAT5 cable. The CAT5 cable plugs into the CAT5 to USB extender mounted in the case. It is accessible from the motor end of the case. The ends of the slat to be protected by heavy duty plastic caps enclosing a preset adjustable mechanism for screen tensioning. Top, front and back of case to be made of extruded aluminum powder coated white. End caps to be of heavy gauge steel powder coated white. Bottom of case to have a removable access door. Door to be of extruded aluminum powder coated white. Bottom of case to be self-trimming, with a built-in flange around the bottom of the case. To be complete with integrated low voltage control unit and three position control switch and cover plate. A USB remote speaker/microphone combination is included. Suitable for use in environmental air space in accordance with section 300-22 (c) of the National Electric Code, and sections 2-128, 12-010 (3) and 12-100 of the Canadian Electrical Code, part 1, CSA C22.1. Screen to be listed by Underwriters Laboratories.



HDTV (16:9) Format Dimensions

Viewing Area (H x W)		Nominal Diagonal		Overall Length of Case*		Approx. Ship. Wt.	
In.	Cm	In.	Cm	In.	Cm	Lbs.	Kg
45" x 80"	114 x 203	92"	234	96"	244	92	41.7
52" x 92"	132 x 234	106"	269	108½"	276	99	44.9
54" x 96"	137 x 244	110"	279	113"	287	104	47.2
58" x 104"	147 x 264	119"	302	121½"	309	114	51.7
65" x 116"	165 x 295	133"	338	134½"	342	135	61.2

Wide (16:10) Format Dimensions

Viewing Area (H x W)		Nominal Diagonal		Overall Length of Case*		Approx. Ship. Wt.	
In.	Cm	In.	Cm	In.	Cm	Lbs.	Kg
50" x 80"	127 x 203	94"	239	96½"	245	92	41.7
57½" x 92"	146 x 234	109"	277	109½"	278	111	50.3
60" x 96"	152 x 244	113"	287	114"	290	104	47.2
65" x 104"	165 x 264	123"	312	122½"	311	114	51.7
69" x 110"	175 x 279	130"	330	129"	328	125	56.7
72½" x 116"	184 x 295	137"	348	135½"	344	135	61.2

*Case length does not include flange

PRODUCT NOTES

- **12" standard black drop at top.** Extra drop may alter case dimensions. Contact Da-Lite for details.
- Overall case length dimensions +/- 1/4" (0.6 cm).
- Detail dimensional drawings, wiring diagrams and installation instructions available upon request.
- Specifications subject to change without notice.
- Custom formats and sizes available upon request.
- Electrical junction box extends 2 1/2" (5.4 cm) past case length on left end of case, 1 1/8" (2.9 cm) past ceiling flange.
- Internal junction box available. Will add 3 1/2" (8.9 cm) to overall case length and must be specified at time of order, recommended for drywall installations.
- Junction box on top of case available. Will add 3 1/2" (8.9 cm) to overall case length and 1 1/8" (4.8 cm) to height at left end of case; must be specified at time of order.

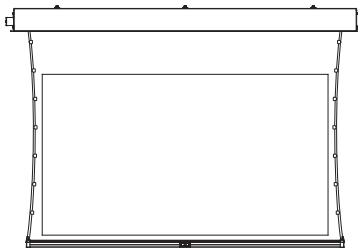
INCLUDED VIEWSHARE TECHNOLOGY

- Integrated 1080p Webcam
- Local CAT5 to USB Extender with Power Supply (CAT5 cable not included)
- 6' USB Cable
- USB Speakerphone
- Powered USB Hub

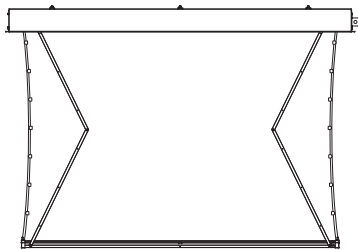
WHEN ORDERING, MARK APPROPRIATE SELECTIONS

- Select Size from Charts.
- Select viewing surface (All Da-Lite surfaces are GREENGUARD GOLD Certified.):
 - HD Progressive 0.6
 - HD Progressive 0.9
 - HD Progressive 1.1
 - Da-Mat®
 - High Contrast Da-Mat®
 - Pearlescent
 - Cinema Vision
 - High Contrast Cinema Vision
- Select Optional Accessories:
 - Extra Drop available to lower picture area more than normal. Specify total drop at top ____ (black or white) or at bottom ____ (black or white). 86 1/2" maximum surface height including black drop and borders.
 - Wireless Remote Control for LVC.
 - Radio Frequency Remote.
 - Radio Frequency Range Extender available
 - Infrared Remote.
 - Key Locking Cover Plate for LVC Switch.
 - 220 Volt (50 Hz) Motor.
 - Video Projector Interface Control - built-in (Adds 10" to case length on 220V motor only).
 - SCB-100 RS-232 Serial Control Board - built-in (adds 10" to overall length of case)
 - NET-100 Ethernet-Serial Adapter

PRODUCT VIEWS



Front



Back



A Milestone AV Technologies Brand

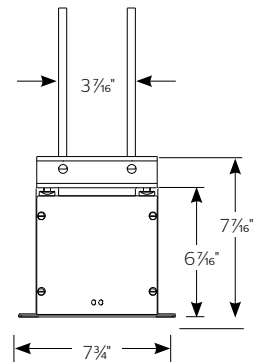
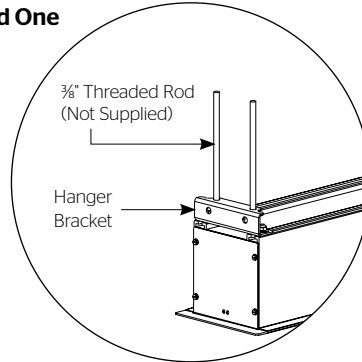
3100 North Detroit Street
 Warsaw, Indiana 46582
 P: 574.267.8101 or 800.622.3737
 F: 574.267.7804 or 877.325.4832
 E: info@da-lite.com
 www.da-lite.com

DL-0165 (Rev. 1) 10.13

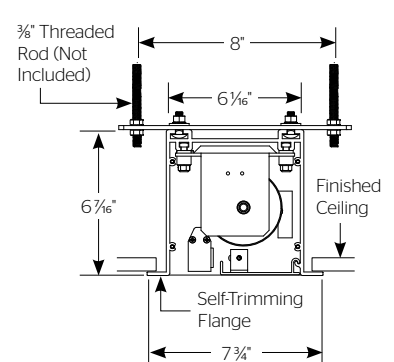
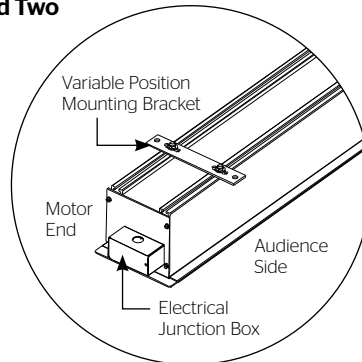
© 2013 Milestone AV Technologies LLC. Printed in U.S.A.

SUGGESTED METHODS OF INSTALLATION

Method One



Method Two



Project Name: _____

Architect: _____

Contractor: _____ Phone: _____

Reseller: _____ Phone: _____