

# Studio Electrol®

Automatic Electric Projection Screen Model



SPECIFICATION DATA

**SUGGESTED SPECIFICATIONS:** \_\_\_\_\_ projection screen(s), \_\_\_\_\_ (H) x \_\_\_\_\_ (W), electrically operated 120 volt (60Hz), not more than 3.4 amp. Shall have specially designed motor mounted inside the roller, to be two wire with ground, quick reversal type, oiled for life, with automatic thermal overload cutout, integral gears, capacitor and an electric brake to prevent coasting. To have preset but adjustable limit switches to automatically stop picture surface in the "up" and "down" positions. Junction box shall be internally integrated into the housing making it possible to install the housing and wire to the building's electrical system during construction. Rigid metal roller, to be

at least 7/8" in diameter. The motorized fabric and roller assembly to be installed in the case at the factory. Screen to be designed for left hand motor installation. Screen fabric to be flame retardant and mildew resistant. Bottom of fabric shall be fitted with a metal slat covering. Heavy duty plastic caps shall protect the ends of the metal slat. Case housing to be made of structural steel tubing with aluminum metal coverings on top, aluminum profiles on rear and front and two extruded aluminum side coverings. The bottom of the casing is standard open. To be complete with a three-position radio remote control.



## Video (NTSC 4:3, 1.33:1) Format Dimensions

Viewing Area (H x W)		Nominal Diagonal		Overall Length of Case*		Approx. Ship. Wt.	
In.	Cm	In.	Cm	In.	Cm	Lbs.	Kg
234" x 312"	594 x 792	390"	991	322 3/4"	820	1203	545.7

## HDTV (16:9, 1.78:1) Format Dimensions

Viewing Area (H x W)		Nominal Diagonal		Overall Length of Case*		Approx. Ship. Wt.	
In.	Cm	In.	Cm	In.	Cm	Lbs.	Kg
176" x 312"	447 x 792	359"	912	322 3/4"	820	1195	542.0
189" x 336"	480 x 853	385"	978	346 3/4"	881	1269	575.6
203" x 360"	516 x 914	414"	1052	370 3/4"	942	1338	606.9
216" x 384"	549 x 975	440"	1118	394 3/4"	1003	1442	654.1

## Cinemascope (21:9, 2.35:1) Format Dimensions

Viewing Area (H x W)		Nominal Diagonal		Overall Length of Case*		Approx. Ship. Wt.	
In.	Cm	In.	Cm	In.	Cm	Lbs.	Kg
133" x 312"	338 x 792	340"	864	322 3/4"	820	1186	537.9
143" x 336"	363 x 853	365"	927	346 3/4"	881	1254	568.8
153" x 360"	389 x 914	391"	993	370 3/4"	942	1312	585.1
163" x 384"	414 x 975	416"	1057	394 3/4"	1003	1416	642.3

\*Case length does not include flange

### PRODUCT NOTES

- Horizontal seam required when height exceeds 75".
- Overall case length dimensions +/- 1/4" (6 mm).
- Detail dimensional drawings, wiring diagrams and installation instructions available upon request.
- Specifications subject to change without notice.
- Custom formats and sizes available upon request.

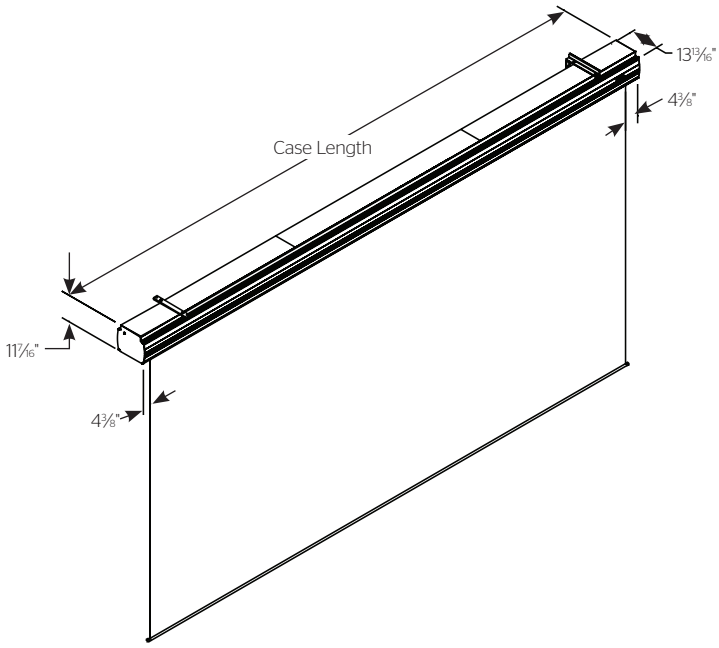
### WHEN ORDERING, MARK APPROPRIATE SELECTIONS:

- Select size from charts on the other side.
- Select viewing surface (All Da-Lite surfaces are GREENGUARD GOLD Certified.):
 

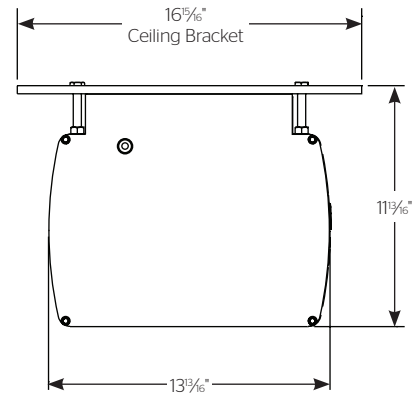
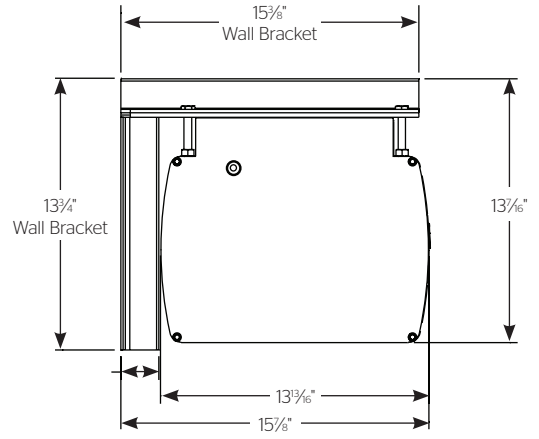
<input type="checkbox"/> Matte White	<input type="checkbox"/> Perforated Matte White
--------------------------------------	---
- Optional accessories:
 

<input type="checkbox"/> Extra Drop available to lower picture area more than normal. Specify total white drop at top ____ or at bottom ____ . 19'-8" maximum total surface height including picture area.	<input type="checkbox"/> Black case (grey standard).
	<input type="checkbox"/> White case (grey standard).

**PRODUCT VIEWS**



**SUGGESTED METHOD OF INSTALLATION**



A Milestone AV Technologies Brand

3100 North Detroit Street  
 Warsaw, Indiana 46582  
 P: 574.267.8101 or 800.622.3737  
 F: 574.267.7804 or 877.325.4832  
 E: info@da-lite.com  
 www.da-lite.com

DL-0239 12.13

© 2013 Milestone AV Technologies LLC. Printed in U.S.A.

Project Name:	_____
Architect:	_____
Contractor:	_____ Phone: _____
Reseller:	_____ Phone: _____