



# DUAL MOTOR LOW VOLTAGE CONTROL (DMC)

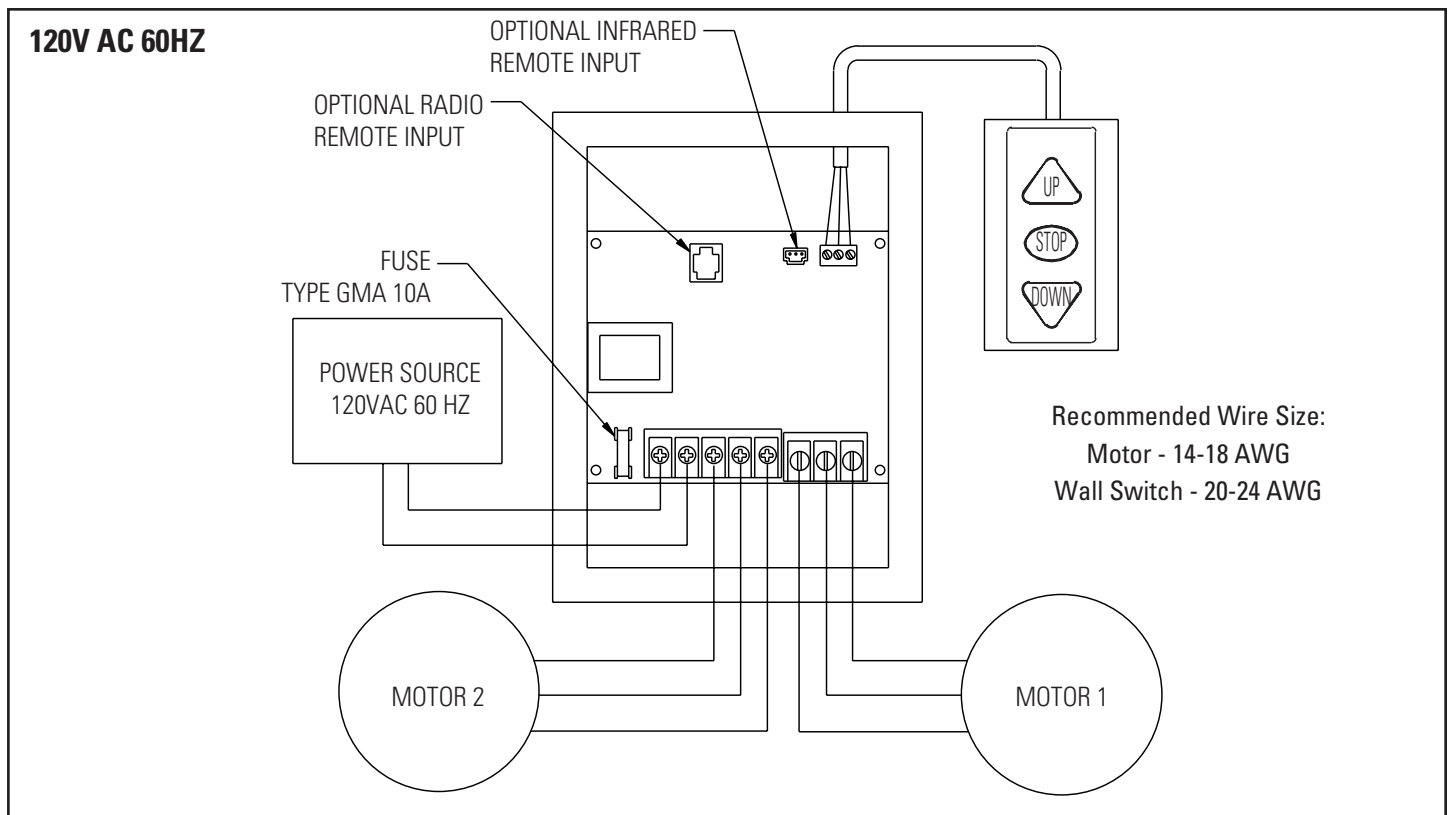
## SPECIFICATION DATA

DA-LITE SCREEN COMPANY, INC.  
3100 North Detroit Street  
Post Office Box 137  
Warsaw, Indiana 46581-0137  
Phone: 574-267-8101  
800-622-3737  
Fax: 574-267-7804  
www.da-lite.com  
e-mail: info@da-lite.com

**SUGGESTED SPECIFICATIONS:** Electrical rating 115 VAC 60 Hz 10A. The dual motor LVC is used to operate the Da-Lite Dual Masking Electrol® Screen or a single motor screen and a projector lift together from one or more locations, remote control, or for integration into a control panel system. Operated by a 3-button momentary dry contact switch. Connections, including 115 volt input, switch input and motor output, to control board provided by screw terminal blocks. Any combination of single or multiple 3-button switches, optional radio frequency remote or infrared remote, or a control panel with momentary dry contacts may control unit. Control board to be mounted in a painted steel housing measuring 4" H x 6" W x 8" L. Standard knockouts provided on housing for conduit connections. Control to be listed by Underwriter's Laboratories.



**NOTE:** This control cannot be used with the Horizon Electrol®, Ascender® Electrol®, or Motorized Scenic Roller screens.



**NOTE:** Do not seal in – allow access.

### Options:

- Radio Frequency Remote Control.
- Infrared Remote Control.
- Additional 3-button Wall Switch.
- 240V Model Available.
- Key Locking Cover Plate for 120 V Switch or LVC.

Specifications are subject to change without notice.

Project: \_\_\_\_\_

Architect: \_\_\_\_\_

Phone: \_\_\_\_\_

Contractor: \_\_\_\_\_

Phone: \_\_\_\_\_

Supervisor: \_\_\_\_\_

Phone: \_\_\_\_\_

Date: \_\_\_\_\_

Revised: \_\_\_\_\_