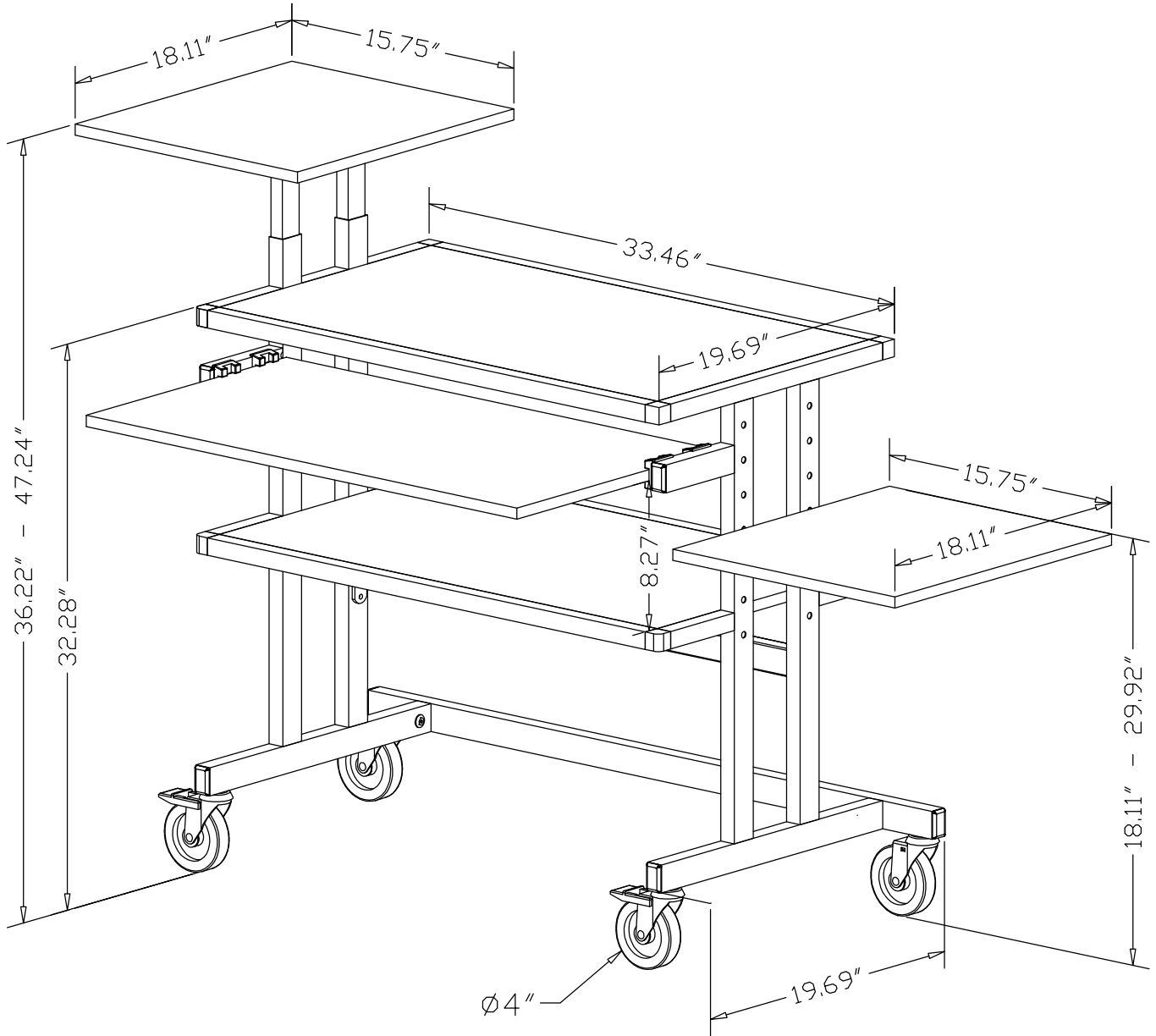


THIS PRINT SUPERSEDES
ANY PRINT DATED PRIOR TO:
4-23-07

NO: _____



SCALE: NONE	DRAWN BY: K.L.	DATE: 4-23-07	APP'D BY:	DATE:
MATERIAL NO: N/A	FINISH: N/A		CAD	
NAME: CLASSICLINE MMT				
DA-LITE SCREEN CO. WARSAW, INDIANA, USA			NO: _____	