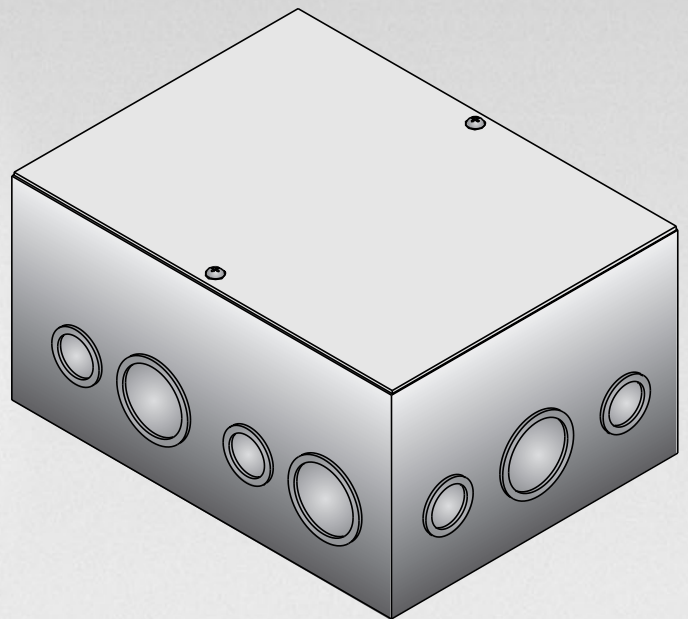


The
POWER *In*
PRESENTATION PRODUCTS



**Installation and Operating Instructions For
DUAL MOTOR LOW VOLTAGE CONTROL
(DMC)**



DA-LITE SCREEN COMPANY, INC.

3100 North Detroit Street
Post Office Box 137
Warsaw, Indiana 46581-0137
Phone: 574/267-8101
800-622-3737
Fax: 574/267-7804
[http:// www.da-lite.com](http://www.da-lite.com)
e-mail: info@da-lite.com

INSTALLATION

WARNING: To prevent electrical shock or damage to the Dual Motor Low Voltage Control (DMC), do not apply power to the DMC until all connections are complete. Make sure power is turned off on all wires before making connections.

LOW VOLTAGE CONNECTIONS:

Wall Switch

1. Install wall switch where desired.
2. Use 3-conductor 20-24 gauge wire to extend the switch wire to the DMC location.
3. Connect the wire from the switch to the switch terminal as shown in diagram 1.



CAUTION: Never apply voltage to the wall switch terminal or the DMC will be damaged.

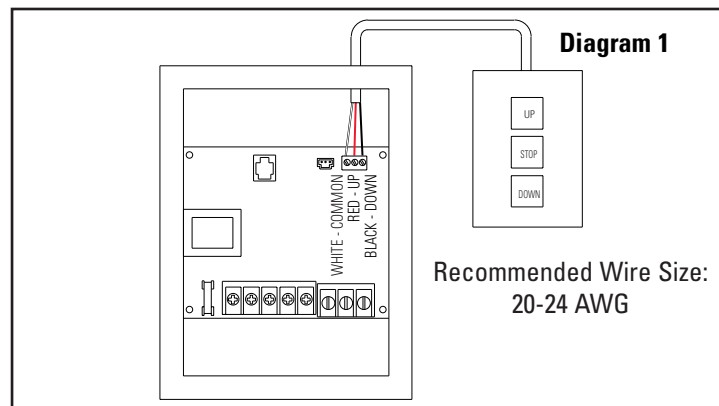
Control Panel

A control panel may be connected to the DMC by using the wall switch terminal. The control panel must provide a momentary, dry contact closure of at least 1/2 second.

1. Use 3-conductor 20-24 gauge wire to connect the control panel to the wall switch terminal.
2. A momentary closure across the white and red wires will be an "up" command.
3. A momentary closure across the white and black wires will be a "down" command.
4. A momentary closure across the white, red and black wires will be a "stop" command.



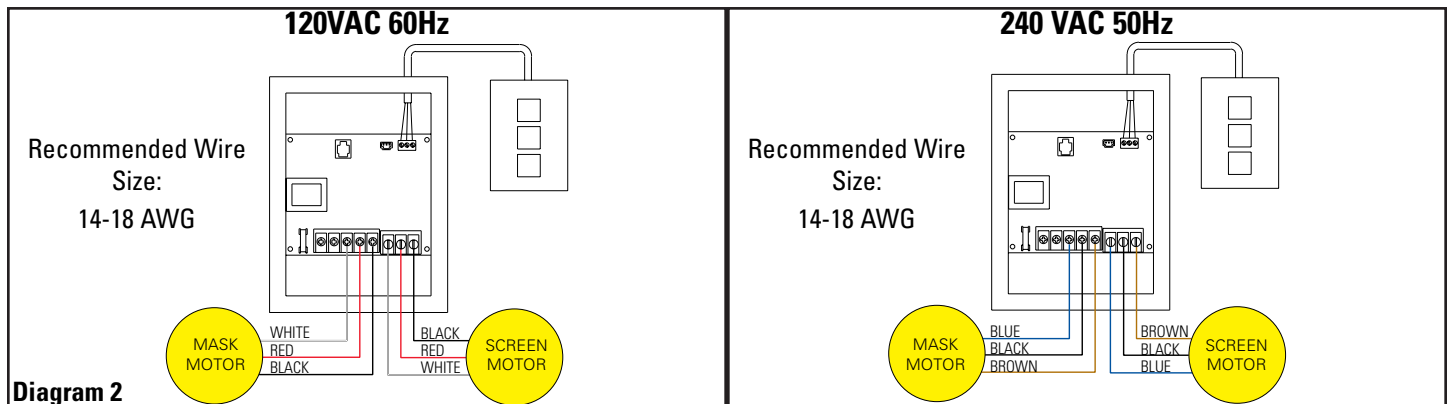
CAUTION: Never apply voltage to the wall switch lead or the DMC will be damaged.



AC POWER CONNECTIONS:

Dual Masking Electrol®

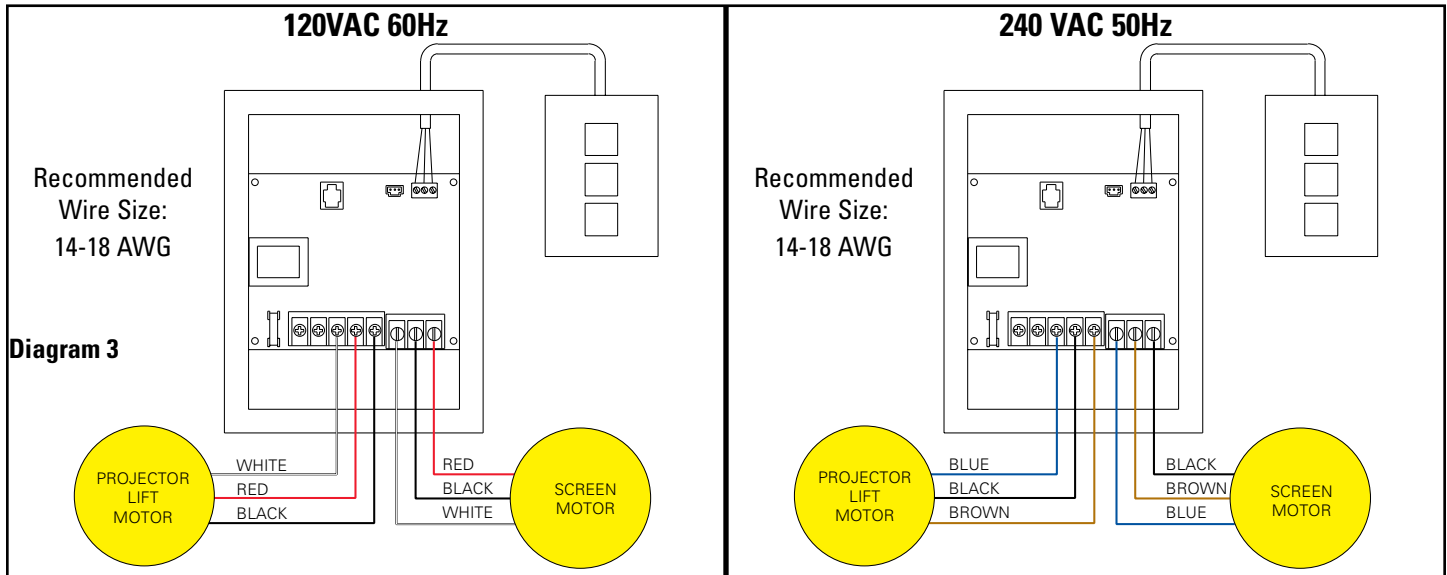
1. Connect the motor wires in the screen junction box to the DMC terminals as shown in diagram 2.
2. Use 14-18 gauge wire to extend the motor wire to the required length.



INSTALLATION

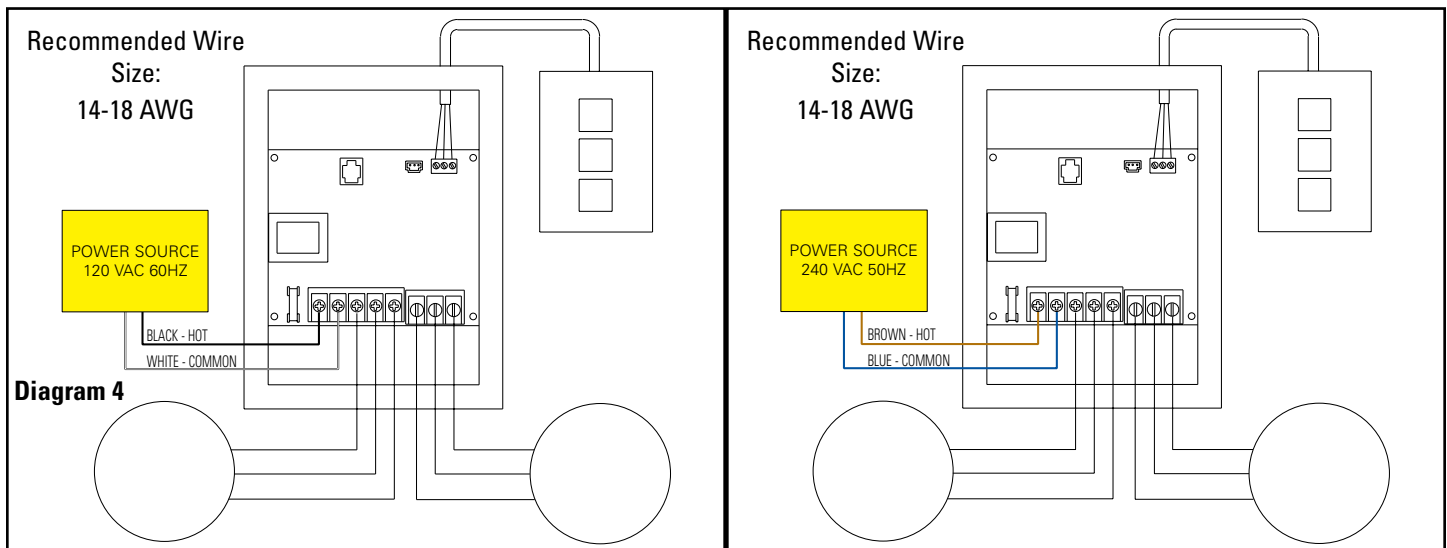
Electrol® Screen and Da-Lift™ Projector Lift

1. Use 14-18 gauge wire to extend the motor wires to the DMC location.
2. Connect the motor wires in the screen and Da-Lift™ junction boxes to the DMC as shown in diagram 3.



AC Power Source

1. Connect power wires to the DMC terminal as shown in diagram 4.
2. Grounding continuity: If metallic conduit is not used throughout the screen and control installation, grounding conductors are required to provide ground continuity between the screen and the DMC.



Operating the Dual Motor Controller

1. Press the DOWN button once and the screen descends.
2. Press the DOWN button again and the mask, or projector lift, descends.
3. Press the UP button once and the screen ascends.
2. Press the UP button again and the mask, or projector lift, ascends.

OPTIONAL WIRELESS REMOTE CONNECTIONS:

Radio Frequency Remote

1. Attach the receiver adjacent to the DMC. Route the receiver wire into the DMC and plug it into the onboard socket. Refer to diagram 5.

Infrared Remote

1. Attach the receiver in a location visible from where the screen will be operated and away from fluorescent lights. Route the receiver wire into the DMC and plug it into the onboard socket. Refer to diagram 5.

