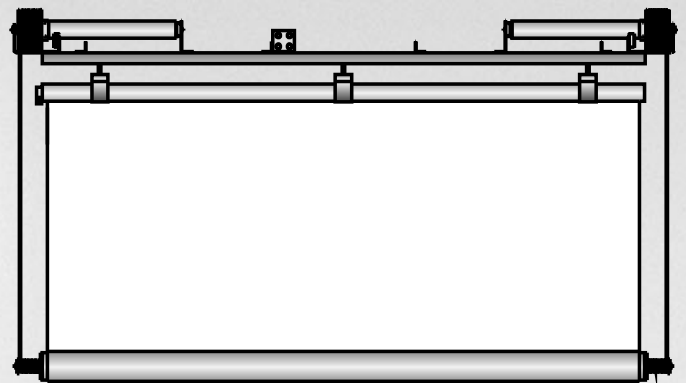


The
POWER *In*
PRESENTATION PRODUCTS



**Instruction Book for
MOTORIZED SCENIC ROLLER SCREEN**



DA-LITE SCREEN COMPANY, INC.

3100 North Detroit Street
Post Office Box 137
Warsaw, Indiana 46581-0137
Phone: 574/267-8101
800-622-3737
Fax: 574/267-7804
[http:// www.da-lite.com](http://www.da-lite.com)
e-mail: info@da-lite.com

IMPORTANT SAFETY INSTRUCTIONS

When using your video equipment, basic safety precautions should always be followed, including the following:

1. Read and understand all instructions before using.
2. Position the cord so that it will not be tripped over, pulled, or contact hot surfaces.
3. If an extension cord is necessary, a cord with a current rating at least equal to that of the appliance should be used. Cords rated for less amperage than the appliance may overheat.
4. To reduce the risk of electric shock, do not disassemble this appliance. Contact an authorized service dealer when repair work is required. Incorrect reassembly can cause electric shock when the appliance is used subsequently.
5. The use of an accessory attachment not recommended by the manufacturer may cause a risk of fire, electric shock, or injury to persons.

SAVE THESE INSTRUCTIONS

INSTALLATION

Before proceeding with the installation please read the installation and operating instructions thoroughly. Make sure to recheck measurements of screen and hanger locations before installation. Area must be clear for screen to operate.

Detach lid from shipping container, remove the screws holding the frame to the shipping container (2 per cross brace). The screen can now be carefully lifted out of the container.

METHOD A

The frame can be mounted to ceiling with 5/16" diameter threaded rods. Level frame from front to back and left to right. Mount from all cross braces (fig. 1).

METHOD B

Hang from a pipe (fly the screen). Level frame from front to back and left to right. Mount from all cross braces (fig. 2).

NOTE: Motor pulley must clear pipe. Chains must clear motor tubes.

SUGGESTED METHOD OF INSTALLATION

METHOD A – SECURE TO CEILING

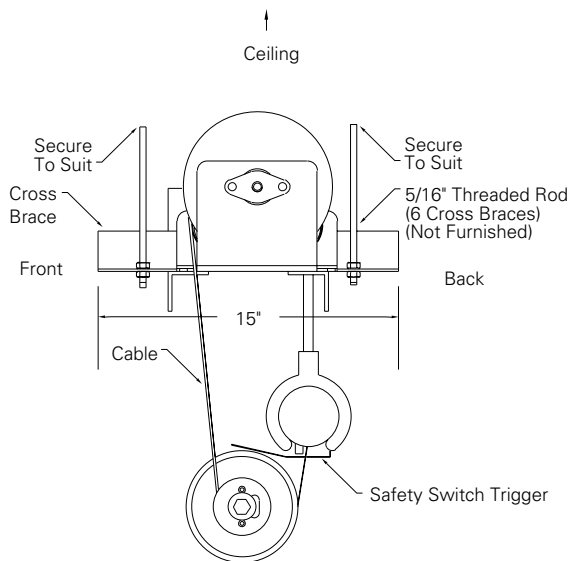


FIG. 1

SUGGESTED METHOD OF INSTALLATION

METHOD B – "FLYING PIPE"

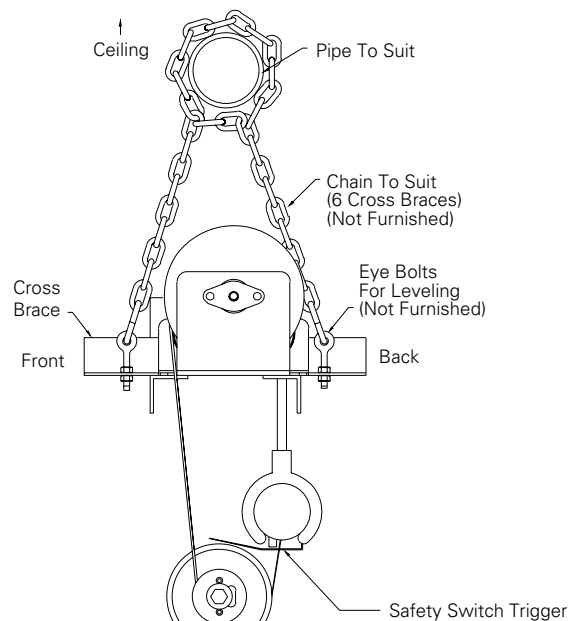


FIG. 2

ELECTRICAL INSTALLATION

Screen motors have been internally wired at Da-Lite. Wiring designated "external" is completed by installer conforming to local and national codes. Refer to wiring diagram on next page.

Check for satisfactory condition by operating screen a few times.

CAUTION! Excessive continuous operation may cause overheating and motors will shut off. Let motors cool 10 to 15 minutes and continue test.

Check the cables to make sure they are winding on the motor and roller pulleys properly.

SCREEN ADJUSTMENT

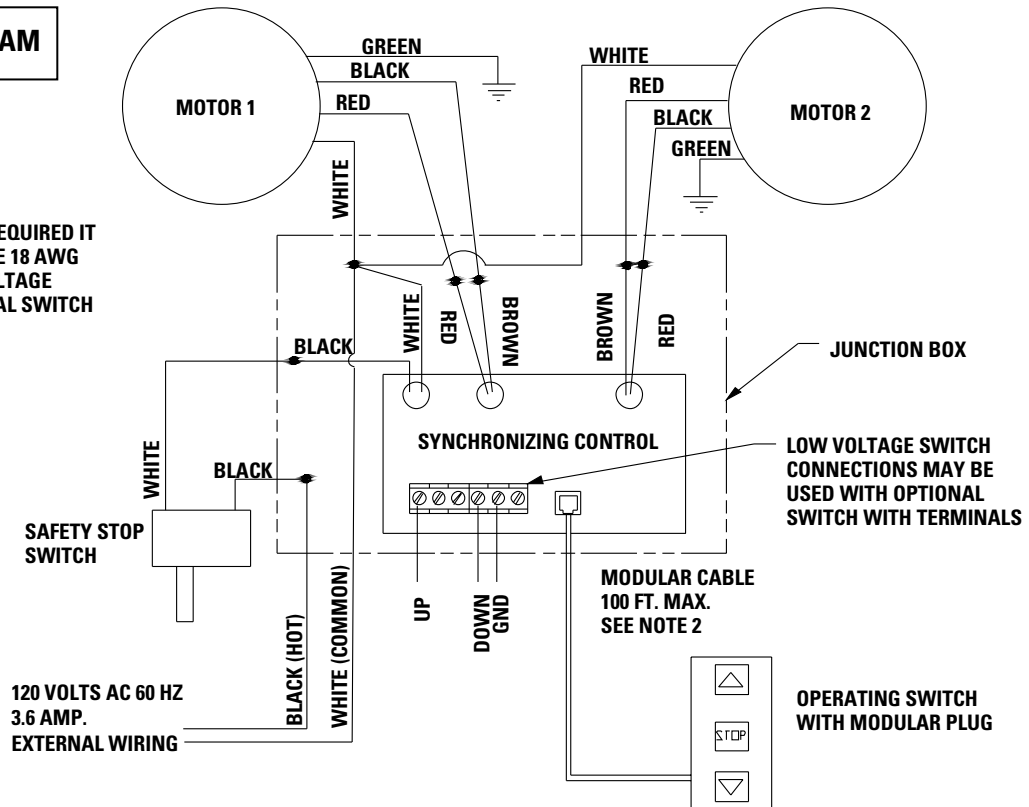
1. With screen in complete unrolled position, examine the screen surface carefully. If slight sag appears in center of fabric, adjust wing nut at center eye bolt until fabric hangs flat. Tighten all hanger bolts. Caution stage hands and others to check area before lowering screen. Do not bump screen with ladders, scenery, etc.

MOTORIZED SCENIC ROLLER INSTALLATION

120V WIRING DIAGRAM

NOTES:

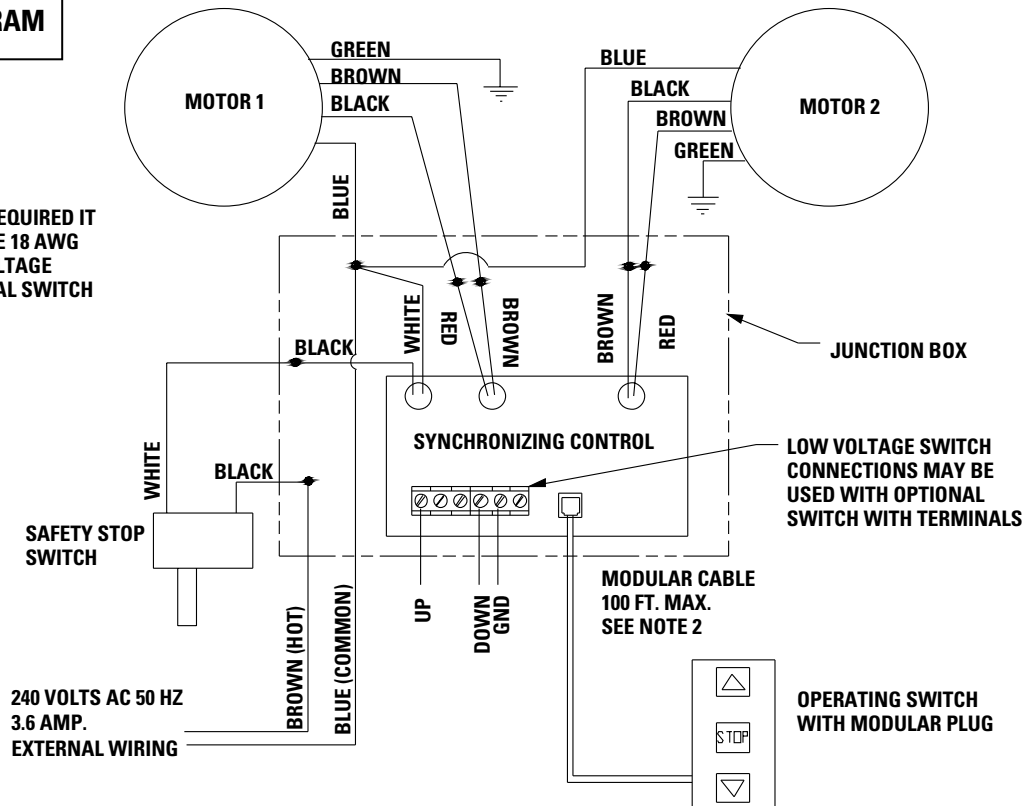
1. FUSE RATED 15A 250 VAC
2. IF MORE THAN 100 FT IS REQUIRED IT IS RECOMMENDED TO USE 18 AWG WIRE USING THE LOW VOLTAGE TERMINALS AND OPTIONAL SWITCH WITH TERMINALS



240V WIRING DIAGRAM

NOTES:

1. FUSE RATED 15A 250 VAC
2. IF MORE THAN 100 FT IS REQUIRED IT IS RECOMMENDED TO USE 18 AWG WIRE USING THE LOW VOLTAGE TERMINALS AND OPTIONAL SWITCH WITH TERMINALS



LIMIT SWITCH ADJUSTMENT

The stop positions of the screen are preset at the factory. If adjustments are necessary, the stop positions can be adjusted by the two limit switch screws located at the end of the number 1 motor (the left motor as viewed from audience side). Do not adjust the switches on motor 2. Use a 5/32" hex key or a flat screwdriver.

Adjustments should be made in small increments by turning the adjustment screws a half turn at a time. Refer to figure 3.

SETTING THE "DOWN" LIMIT POSITION.

SCREEN DROPS TOO FAR:

Turn the white limit switch screw clockwise to decrease the amount of fabric drop. Run the screen down to test the stop position. If the screen drops too far, raise the screen about one foot and adjust the limit switch again. Repeat until the desired position is set.

SCREEN DOES NOT DROP ENOUGH:

Turn the white limit switch screw counterclockwise to increase the amount of fabric drop. Run the screen down to test the stop position. If the screen does not drop enough, raise the screen about one foot and adjust the limit switch again. Repeat until the desired position is set. Do not adjust for more drop than what was ordered. At least 1-1/2 wraps of fabric must remain on the roller.

SETTING THE "UP" LIMIT POSITION.

SCREEN TRAVELS UP TOO FAR:

Turn the yellow limit switch screw clockwise to decrease the amount of travel. Run the screen up to test the stop position. If the screen travels up too far the safety stop switch will be activated and all power to the motors will be shut off. You will have to deactivate the switch by hand. To do this push down on the switch trigger (see figure 1) to release the switch and have someone run the screen down. This safety switch is to prevent the screen from traveling too far and binding the motors should the motor limit switches fail.

SCREEN DOES NOT TRAVEL UP FAR ENOUGH:

Turn the yellow limit switch screw counterclockwise to increase the amount of up travel. Run the screen up to test the stop position. If more travel is desired, lower the screen about one foot and adjust the limit switch again. Repeat until the desired position is set.

FIG. 3

