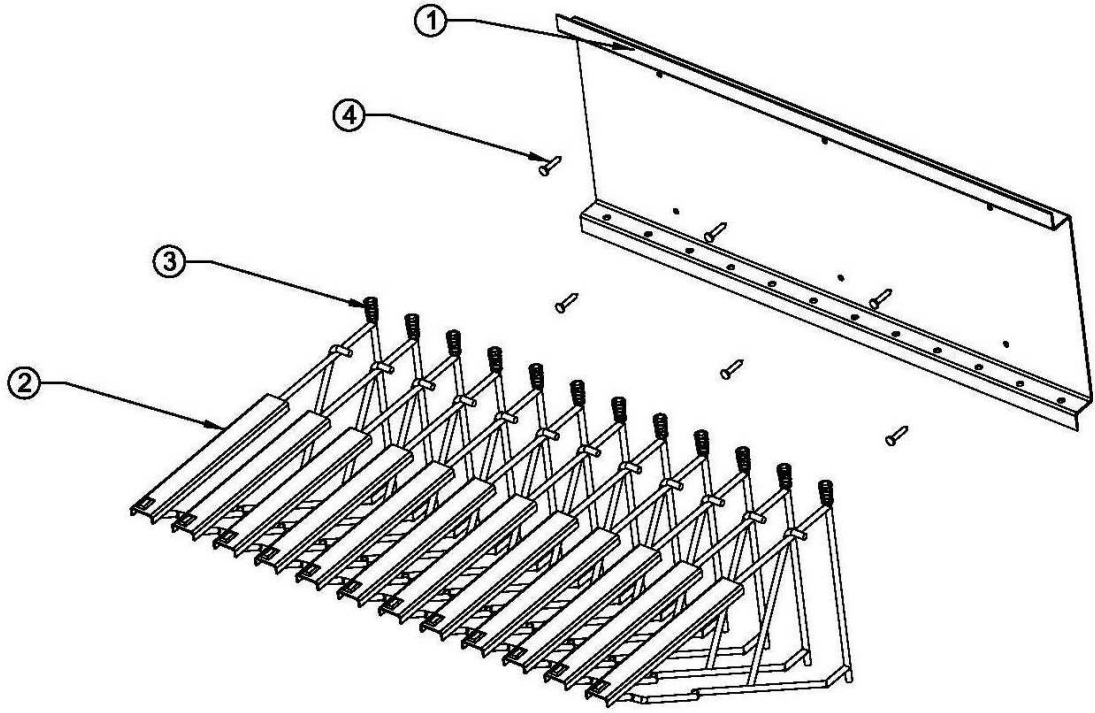


# Wall Rack with 12 Pivot Hangers



Item	Description	Qty
1	Rack	1
2	Hanger	12
3	Spring	12
4	Screws	6

- 1) Fasten wall rack (1) using six #10×1”screws (4) to wall studs if possible. If unable to locate wall studs we recommend using hollow wall screw anchors.
- 2) Install hangers (2)with springs (3) into wall rack (1)